

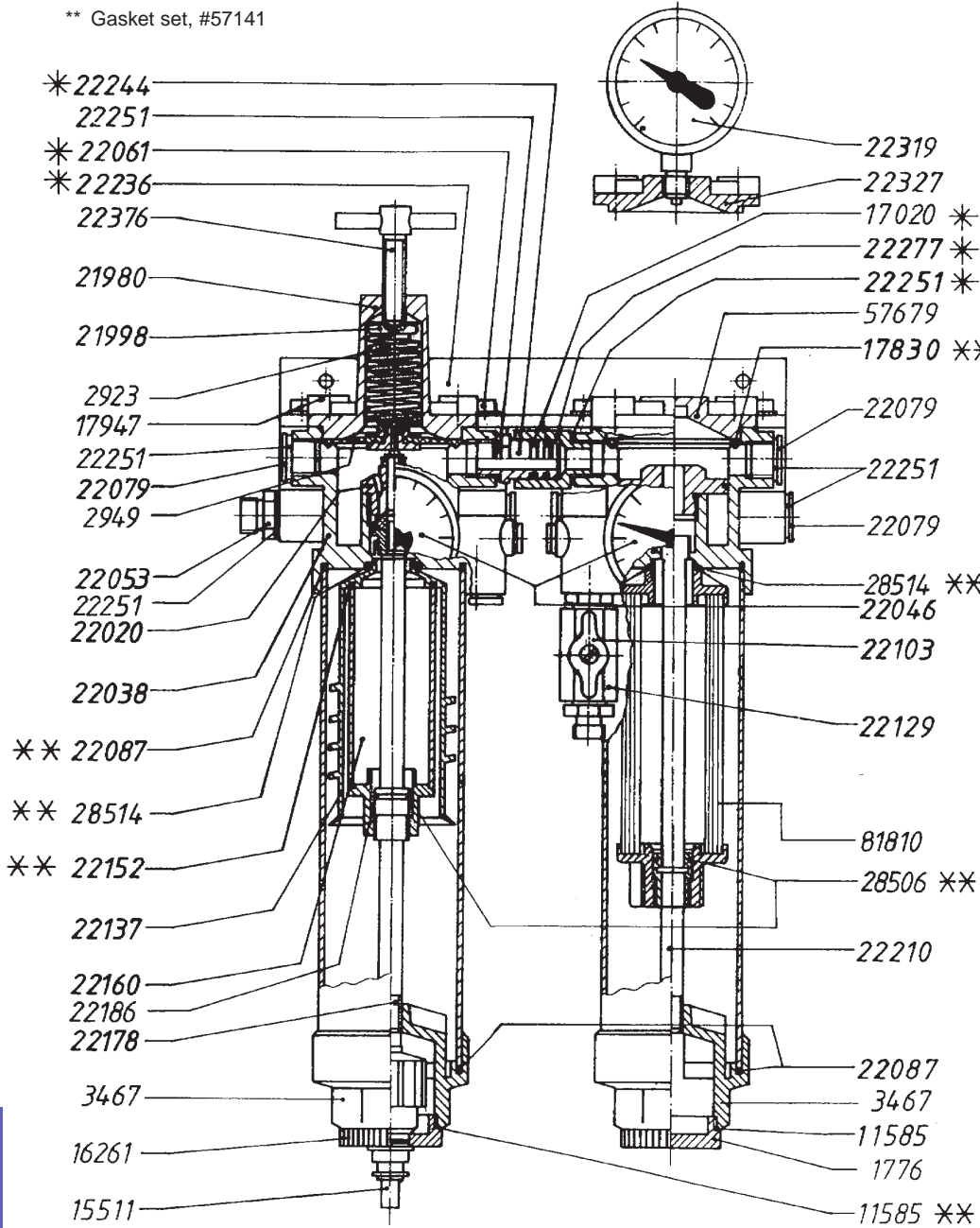
Replacement parts:

Sata 0/100 Series and Sata 0/200 Series

The parts drawing is common to all filters in the series

- | | |
|---------------------------------------|--|
| 0/114 (left module without regulator) | 0/174 (right module and 0/164 charcoal unit) |
| 0/124 (left module with regulator) | 0/184 (both modules and 0/164 charcoal unit) |
| 0/134 (right module) | 0/224 (left module without regulator) |
| 0/144 (both modules as illustrated) | 0/244 (both modules without regulator) |

(old 0/100 and 0/200 series discontinued and superseded by the new 0/300 and 0/200 series)



Part# Description

- 1776 Bottom cap, 0/134
- 2923 Spring, 0/124
- 2949 Diaphragm, 0/124
- 3467 Cap, 0/114 - 0/184
- 11585 "O" ring, 0/144-0/184
- 15511 Automatic discharger
- 16261 Bottom cap, 0/114-0/124
- 17020 "O" ring, 0/144-0/244
- 17830 "O" ring, 0/134-0/224 and 0/244
- 17947 Cap screw
- 21980 Valve housing, 0/124
- 21998 Pressure plate, 0/124
- 22020 Pressure valve, 0/124
- 22038 Housing, 0/124
- 22046 Pressure gauge, 0/124, 0/144
- 22053 Double ended nipple, 3/8
- 22061 Cap screw, 0/124
- 22079 Plug, 3/8, 0/124
- 22087 "O" ring, 0/124
- 22103 Valve knob, 0/124
- 22129 Teflon ball valve, 0/124
- 22137 Cyclone tube, 0/124
- 22152 "O" ring, 0/124
- 22160 Bronze filter, 0/124
- 22178 Threaded rod, 0/124
- 22186 Knurled nut, 0/124
- 22210 Threaded rod, 0/134
- 22236 Mounting bracket, 0/124
- 22244 Hexagon nipple, 0/124
- 22251 Seal ring, 0/124
- 22277 Coupling sleeve, 0/144
- 22319 Pressure gauge, 0/134
- 22327 Cover plate, 0/134
- 22376 "T" handle, 0/124
- 28506 "O" ring, Sata 0/114 - 0/144
- 28514 "O" ring, Sata 0/114 - 0/144
- 49288 Pressure gauge, 0/224, 0/244
- 57141 Gasket set
- 57679 Cover plate 0/114 - 0/144
- 81810 Fine filter, 0/134

REPLACEMENT PARTS FOR OLD VERSION

- (without black powder coated surface)
- 11551 "O" ring
 - 22004 Spring
 - 22012 Diaphragm
 - 22350 Fibre ring