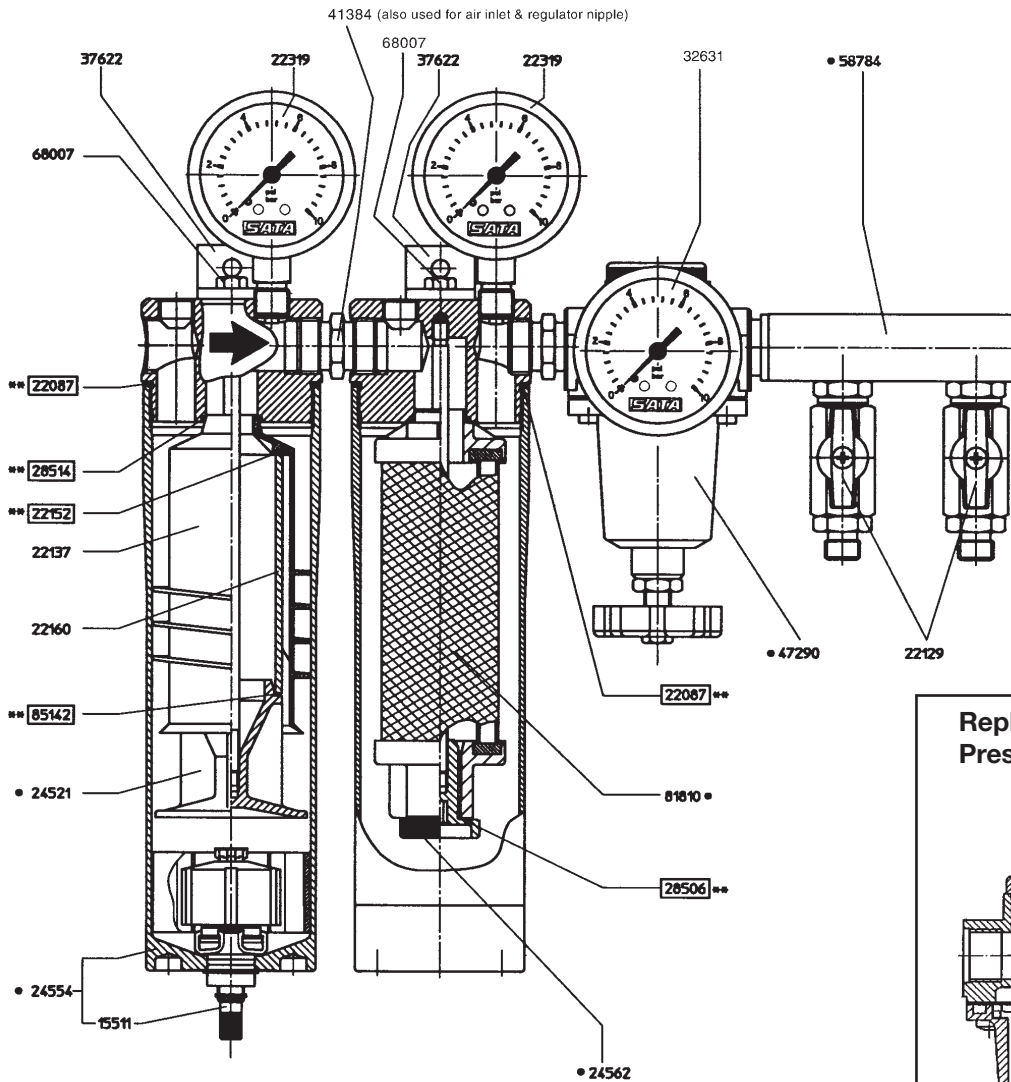


Replacement parts:

Sata 0/200 Filter Series

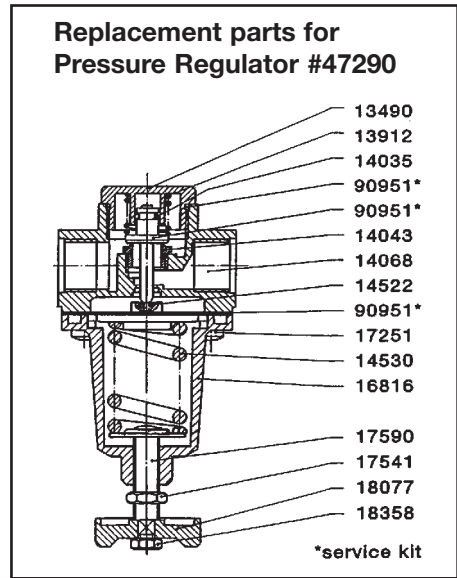


** Parts included in gasket set part number 38604 (4 ea "O" rings included)

• Parts in this group only available as a set

Filters:

- 22160 sinterd bronze
- 81810 fine filter



The parts drawing is common to all filters in the series.

- 0/222, left module without regulator
- 0/223, left module without regulator
- 0/242, both modules w/o regulator
- 0/243, both modules w/o regulator
- 0/244, both modules with regulator

Part # Description

15511	Auto. Condensate Discharger
22087	"O" ring, 0/300 line
22129	Teflon ball valve
22137	Cyclone tube
22152	"O" ring, 0/300 line
22160	Sintered bronze filter
22319	Pressure gauge, 0/134, 0/334
24521	Baffle with "O" ring
24554	Housing tube with auto. cond. dis.

24562	Adapter with "O" ring, 0/300
26526	Threaded rod with pressure valve
28506	"O" ring, 0/300 line
28514	"O" ring, 0/300 line
32631	Pressure gauge
37622	Wall angle mounting strap
38604	Gasket kit, 0/200 series
41384	Double ended nipple
47290	Pressure regulator with gauge
58784	Outlet manifold
68007	Hex screw, M6x14
81810	Fine filter, 0/134, 0/334
84798	Plug, brass hollow hex 1/2
84806	Aluminum plug washer
85142	"O" ring 30 x 1.5 0/300
85357	Housing spanner wrench (not illus.)
90993	Repair kit, 0/200

Replacement Parts for Pressure Regulator #47290

Part #	Description
13490	End screw cover
13912	Compression spring
14035	"O" Ring
14043	Valve seat
14068	Head piece
14522	"O" Ring 25 x 15
14530	Compression spring
16816	Bell housing
17251	Cylinder screw
17541	Counter nut M10 x 1
17590	Spindle
18077	Adjusting knob
18358	Nut, Adjusting knob
90951*	Included with repair kit #90993