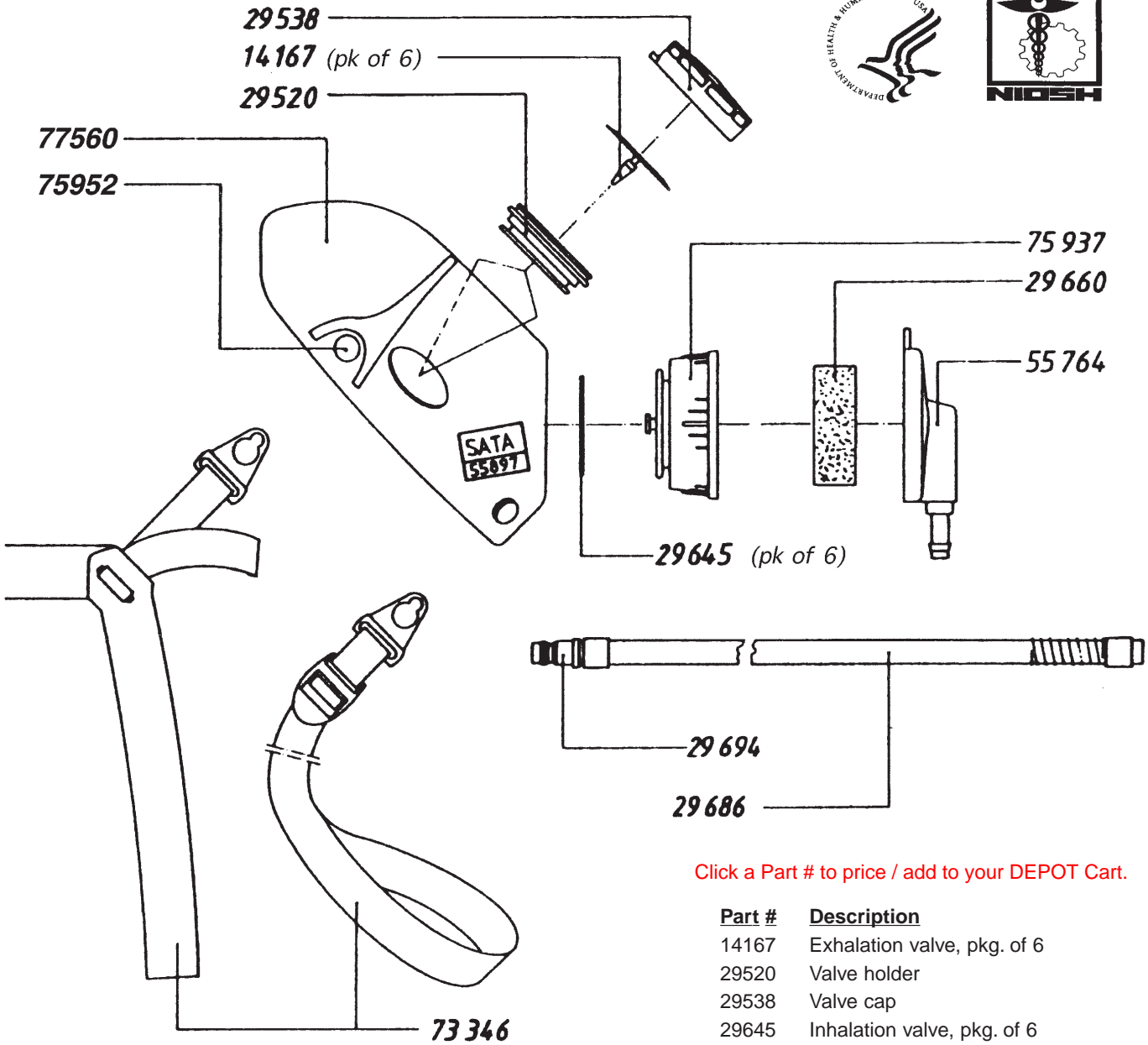


Replacement parts:

Sata Half Mask Assembly

New Version (Orange), NIOSH Approval TC-19C-210



SATA Half Mask Assembly Complete With Air Supply Hose
Part Number 39693

Click a Part # to price / add to your DEPOT Cart.

Part #	Description
14167	Exhalation valve, pkg. of 6
29520	Valve holder
29538	Valve cap
29645	Inhalation valve, pkg. of 6
29660	Air distribution foam
29686	Air hose, complete
29694	Nipple, air hose
39693	Half mask, complete assembly,
55764	Cap, air connection
73346	Head straps
75937	Filter holder
75952	Strap connecting pin
77560	Rubber molding
NOT ILLUSTRATED	
75358	Sata mask cleaner, pkg. of 10