

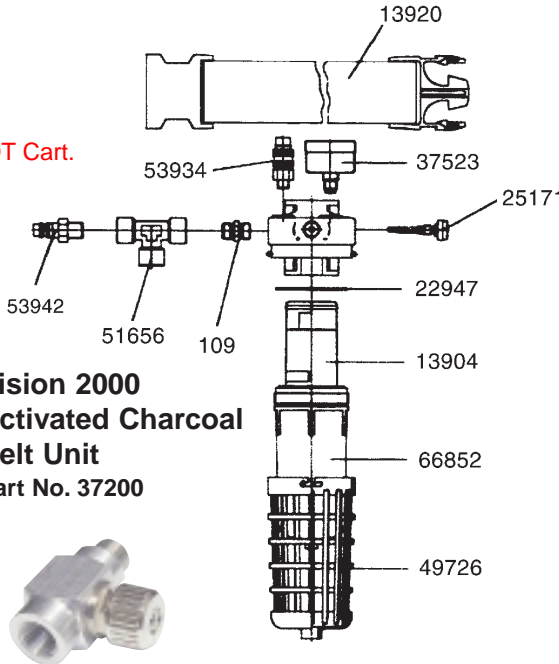
Replacement parts:

Sata Vision 2000 and Half Mask Belt Units
Sata Top Air Humidifier
NIOSH Approval TC-19C-210 and TC-19C-211



Click a Part # to price / add to your DEPOT Cart.

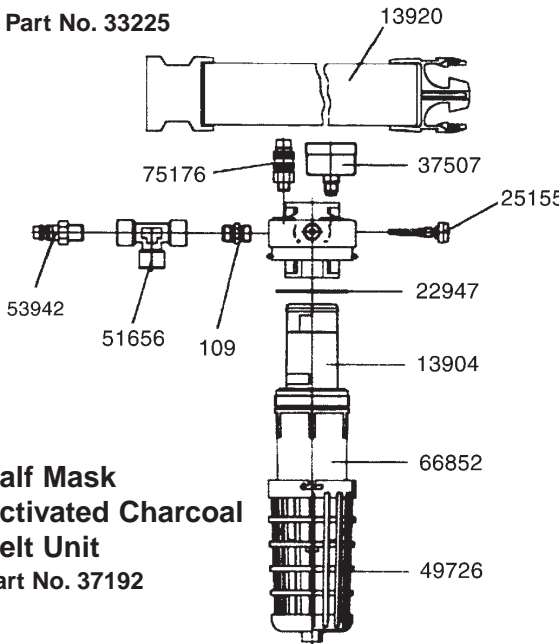
Part #	Description
109	Air inlet fitting, 1/4" BSP
784	Female nipple, Milton
1503	Air control screw
13599	Quick coupling
13904	Charcoal filter cartridge
13920	Waist belt
15412	Belt unit support straps
22947	"O" ring, housing
25155	Regulating valve, half mask
25171	Regulating valve, Vision 2000
33225	Spray gun air micrometer
37192	Belt unit, complete half mask
37200	Belt unit, complete Vision 2000
37507	Gauge, half mask
37523	Gauge, Vision 2000
49726	Protective filter cover
51656	T fitting, (supplied separately)
53934	Full mask QC
53942	Nipple, T fitting
54221	Control valve
61002	Belt valve, complete Vision 2000
61457	Belt valve, complete half mask
65557	Knob, control valve
66852	Filter cover
75176	Half mask QC



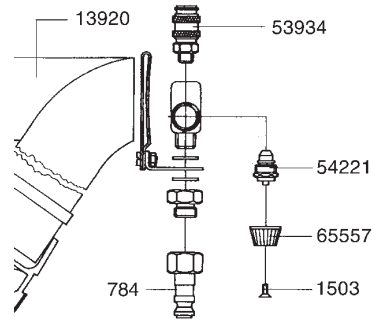
**Vision 2000
Activated Charcoal
Belt Unit**
Part No. 37200



Part No. 33225



**Half Mask
Activated Charcoal
Belt Unit**
Part No. 37192

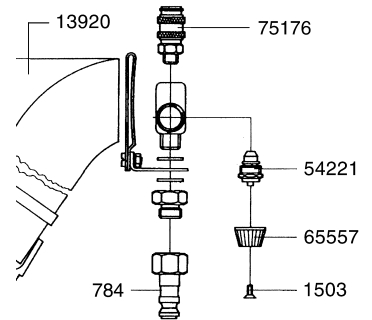


**Vision 2000
Industrial Belt Valve**
Part No. 61002



Belt Unit Support Straps

Part No. 15412



**Half Mask
Industrial Belt Valve**
Part No. 61457

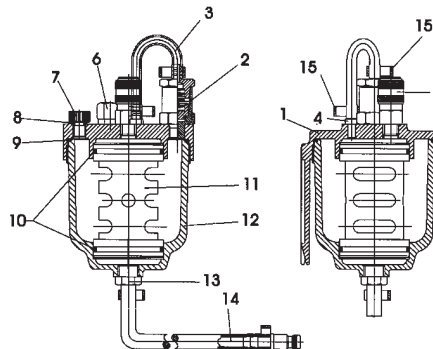


55640	52" Paint whip hose
	3/8" Breathing Air Hose
3366-25	Gates non gassing hose, 25'
3366-35	Gates non gassing hose, 35'
6633-50	Gates non gassing hose, 50'
6633-60	Gates non gassing hose, 60'
6633-75	Gates non gassing hose, 75'
6633-100	Gates non gassing hose, 100'

Replacement parts for discontinued belt units #66829 and #66894

783	Male nipple, Milton
784	Knob, control valve
29751	Over pressure valve, complete
53959	Detent, regulator valve
61176	Screw, detent
66829	Belt unit, complete, full mask
66845	Reg. valve, full mask (nickel)
66894	Belt unit, complete, half mask
66910	Reg. valve, half mask (brass)

Sata Top Air Humidifier



#	Part#	Description
5	24505	Safety quick coupling
4	24612	Nipple
9	24620	Head gasket
10	24919	"O" ring, module
6	24950	Safety valve, complete
3	25429	Hose, PVC
13	46169	Plug-in nipple
15	53975	Hose clamp, 10.5
7	63214	Screw, filling cap
8	70789	"O" ring, filling cap
2	72611	Valve, complete
11	81158	Module, complete
14	82917	Air hose, complete
1	86777	Head
12	86785	Receptacle