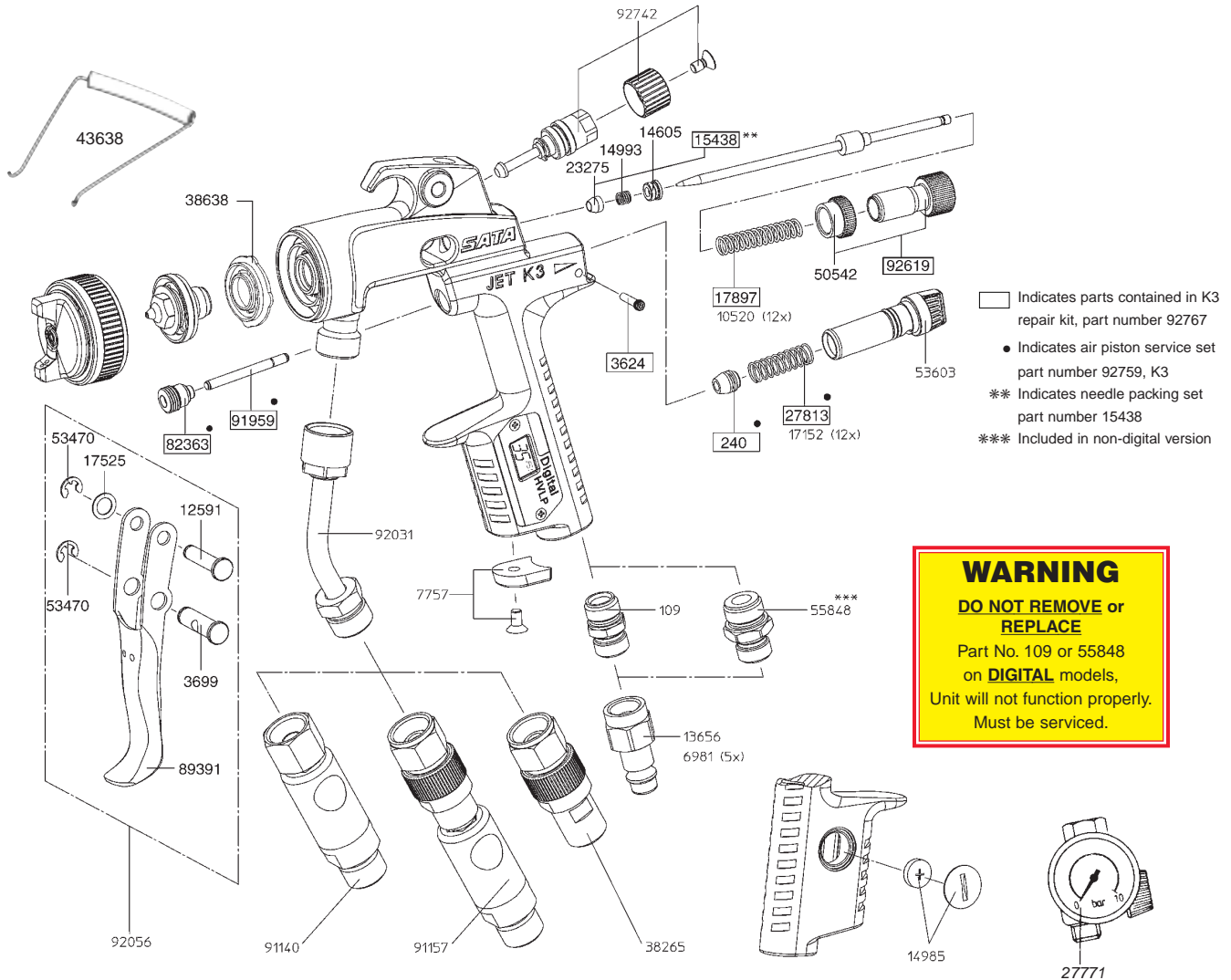


Replacement parts:

SATAjet K3 HVLP and SATAjet K3 RP Digital and Standard Model



K3 RP NOZZLE SETS

Nozzle Size	Part No.
0.8	92494
1.1	92502
1.3	92510
1.5	92528
1.7	95422
2.0	95356

Click a Part # to price / add to your DEPOT Cart.

K3 HVLP NOZZLE SETS

Nozzle Size	Part No.
0.8	92783
1.0	92791
1.2	92809

K3 HVLP TEST AIR CAP

Nozzle Size	Part No.
0.8	95059
1.0	95059
1.2	95059

Conv. and HVLP
 (not required for
 digital model)

Part # Description

- | | | | | | |
|-------|--------------------------------|-------|--------------------------------------|-------|---------------------------|
| 109 | Air inlet fitting, 1/4" BSP | 17152 | Air piston spring, pk of 12 #27813 | 82636 | Air piston packing holder |
| 240 | Air piston packing | 17525 | Lock spring | 89391 | Trigger |
| 3624 | Pin, micrometer | 17897 | Needle spring | 91140 | QC w/nipple |
| 3699 | Pin, lower trigger | 23275 | Needle packing | 91157 | QC w/filter and nipple |
| 6981 | Female nipple, pk of 5 | 27771 | Air micrometer w/gauge | 91959 | Air piston, K3 |
| 7757 | ColorCode disc, pk of 4 | 27813 | Air piston spring | 92031 | Paint pipe, K3, R 3/8 |
| 10520 | Needle spring, pk of 12 #17897 | 38265 | Material filter, R 3/8 | 92056 | Trigger service set |
| 12591 | Pin, upper trigger | 38638 | Air ring, 2000, RP, K3 | 92577 | Tool set, K3 |
| 13656 | Female nipple (German) | 43638 | Wire tool, air ring | 92619 | Fluid control service set |
| 14605 | Bushing, needle packing | 50542 | Lock nut fluid control | 92742 | Fan control service set |
| 14985 | Battery kit, digital | 53470 | Circlip, pin | 92759 | Air piston service set |
| 14993 | Spring, needle packing | 53603 | Air micrometer | 92767 | Repair kit, K3 |
| 15438 | Needle packing service set | 55848 | Air inlet fitting, std. Jet 2000, RP | | |